

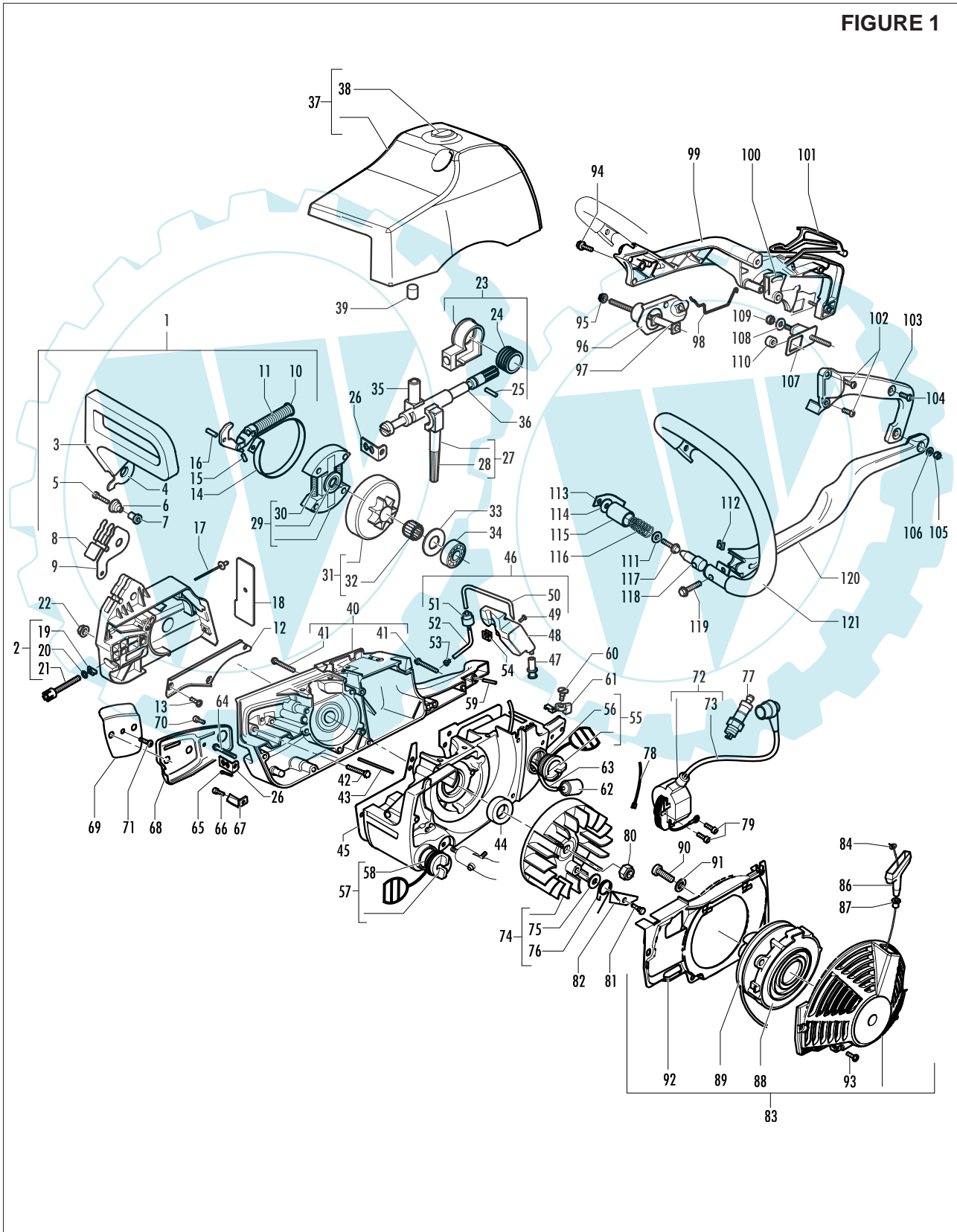
|       |                |
|-------|----------------|
| brand | <b>PARTNER</b> |
|-------|----------------|

|      |        |           |
|------|--------|-----------|
| date | JUN/03 | SHEET 1/5 |
|------|--------|-----------|

|                      |        |
|----------------------|--------|
| Model                | Prefix |
| <b>543 15" - 325</b> | 01     |
|                      |        |
|                      |        |

|                  |
|------------------|
| Product number   |
| <b>953900435</b> |
|                  |
|                  |

**FIGURE 1**





Service

ELECTROLUX OUTDOOR PRODUCTS

|       |         |
|-------|---------|
| brand | PARTNER |
|-------|---------|

|      |        |           |
|------|--------|-----------|
| date | JUN/03 | SHEET 2/5 |
|------|--------|-----------|

|               |        |
|---------------|--------|
| Model         | Prefix |
| 543 15" - 325 | 01     |
|               |        |
|               |        |

|                |
|----------------|
| Product number |
| 953900435      |
|                |
|                |

FIGURE 1

| pos | P/N McC      | P/N ELX   | Qty | DESCRIPTION           | pos | P/N McC      | P/N ELX   | Qty | DESCRIPTION         |
|-----|--------------|-----------|-----|-----------------------|-----|--------------|-----------|-----|---------------------|
| 1   | 503452101    | 503452101 | 1   | clutch cover assembly | 44  | • 505275719  | 505275719 | 1   | retaining ring      |
| 2   | 503593701    | 503452101 | 1   | chain cover assembly  | 45  | • 503153701  | 503153701 | 1   | Kit Gasket          |
| 3   | • 503452701  | 503452101 | 1   | brake lever assembly  | 46  | 503593601    | 503593601 | 1   | tank assembly       |
| 4   | • 503588701  | 503452101 | 1   | spacer                | 47  | •• 503571402 | 503571402 | 1   | seal                |
| 5   | • 725529156  | 503452101 | 1   | screw M4X12           | 48  | •• 503568801 | 503568801 | 1   | fuel tank expansion |
| 6   | • 503409601  | 503452101 | 1   | bushing               | 49  | •• 229791    | 538229791 | 1   | screw               |
| 7   | • 503409701  | 503452101 | 1   | T.bushing             | 50  | •• 242525    | 538242525 | 1   | 125 mm hose         |
| 8   | • 503409801  | 503409801 | 1   | Spring                | 51  | •• 503164001 | 503164001 | 1   | valve               |
| 9   | • 503409901  | 503409901 | 2   | Spacer/Washer         | 52  | •• 242524    | 538242524 | 1   | 60 mm hose          |
| 10  | • 503408701  | 503408701 | 1   | Screw                 | 53  | •• 504357201 | 504357201 | 1   | hose filter         |
| 11  | • 501875401  | 501875401 | 1   | Spring                | 54  | •• 503226201 | 503226201 | 1   | treat. Plate        |
| 12  | • 503581801  | 503581801 | 1   | Brake spring cover    | 55  | 503125003    | 503125003 | 1   | tank cap assembly   |
| 13  | • 503212810  | 503212810 | 3   | Screw                 | 56  | • 740440700  | 740440700 | 1   | cap gasket          |
| 14  | • 503452802  | 503452802 | 1   | Brake band            | 57  | • 503125403  | 503125403 | 1   | oil tank cap ass'y  |
| 15  | • 721425250  | 721425250 | 1   | Elastic pin           | 58  | • 740481802  | 740481802 | 1   | oil cap gasket      |
| 16  | • 720126950  | 720126950 | 1   | Pin                   | 59  | 721426020    | 721426020 | 1   | pin                 |
| 17  | •• 501608201 | 501608201 | 1   | Rivet                 | 60  | 503203701    | 503203701 | 1   | screw               |
| 18  | •• 503452401 | 503452401 | 1   | Grommet               | 61  | 505279205    | 505279205 | 1   | stop switch         |
| 19  | •• 505267895 | 505267895 | 1   | puller unit           | 62  | 503443201    | 503443201 | 1   | fuel filter         |
| 20  | •• 227504    | 538227504 | 1   | Benzing D.5           | 63  | 242523       | 538242523 | 1   | 160 mm Hose         |
| 21  | •• 242560    | 538242560 | 1   | Chain tensioner screw | 64  | 503200235    | 503200235 | 1   | screw               |
| 22  | 227762       | 538227762 | 1   | M8 nut                | 65  | 721613801    | 721613801 | 1   | split pin           |
| 23  | 503118502    | 503118502 | 1   | Oil pump Kit          | 66  | 725532955    | 725532955 | 1   | screw               |
| 24  | • 242650     | 538242650 | 1   | Pump drive wheel      | 67  | 501686801    | 501686801 | 1   | chain catcher       |
| 25  | • 721121040  | 721121040 | 1   | Pin                   | 68  | 505269307    | 505269307 | 1   | guide plate         |
| 26  | • 503116501  | 503116501 | 1   | Oil pump bracket      | 69  | 505269295    | 505269295 | 1   | guide plate         |
| 27  | 503101601    | 503101601 | 1   | Suction hose ass'y    | 70  | 503202520    | 503202520 | 1   | screw               |
| 28  | 505315181    | 505315181 | 1   | Oil filter            | 71  | 503212810    | 503212810 | 1   | screw               |
| 29  | 501455403    | 501455403 | 1   | clutch assembly       | 72  | 503901201    | 503901201 | 1   | ignition module     |
| 30  | 501456101    | 501456101 | 1   | spring                | 73  | • 501531601  | 501531601 | 1   | cable               |
| 31  | 503088702    | 503088702 | 1   | clutch drum           | 74  | 503521801    | 503521801 | 1   | flywheel ass'y      |
| 32  | 503253401    | 503253401 | 1   | needle bearing        | 75  | • 503818101  | 503818101 | 1   | spring              |
| 33  | 503230105    | 503230105 | 1   | washer                | 76  | • 503230042  | 503230042 | 1   | washer              |
| 34  | 505275719    | 505275719 | 1   | retaining ring        | 77  | 240010       | 538240010 | 1   | RCJ7Y S. PLUG       |
| 35  | 505310745    | 505310745 | 1   | oil pump joint        | 78  | 503129701    | 503129701 | 1   | lead                |
| 36  | 503116102    | 503116102 | 1   | oil pump piston ass'y | 79  | 503202520    | 503202520 | 1   | screw               |
| 37  | 242674       | 538242674 | 1   | engine cover ass'y    | 80  | 503220401    | 503220401 | 1   | nut                 |
| 38  | • 503227001  | 503227001 | 1   | slotted barrel M5     | 81  | 501819903    | 501819903 | 1   | screw               |
| 39  | 505310751    | 505310751 | 1   | rubber                | 82  | 503710203    | 503710203 | 1   | pawl                |
| 40  | 503123105    | 503123105 | 1   | crankcase kit         | 83  | 242679       | 538242679 | 1   | starter ass'y       |
| 41  | • 503200235  | 503200235 | 1   | screw                 | 84  | • 505305125  | 505305125 | 1   | starter rope        |
| 42  | • 505220937  | 505220937 | 1   | stud bolt             | 86  | • 503127901  | 503127901 | 1   | starter handle      |
| 43  | • 501839304  | 501839304 | 1   | hose                  | 87  | • 501630601  | 501630601 | 1   | rope bushing        |
|     |              |           |     |                       | 88  | • 505295126  | 505295126 | 1   | spring              |

A= ALTA ROTAZIONE  
B=MEDIA ROTAZIONE  
C=BASSA ROTAZIONE

A=HIGH MOVING  
B=MEDIUM MOVING  
C=SLOW MOVING

A=HAUTE DEMANDE  
B=MOYENNE DEMANDE  
C=BASSE DEMANDE

A=GROßE NACHFRAGE  
B=MITTELMAßIGE  
C=WENIGE NACHFRAGE

|       |                |
|-------|----------------|
| brand | <b>PARTNER</b> |
|-------|----------------|

|      |        |           |
|------|--------|-----------|
| date | JUN/03 | SHEET 3/5 |
|------|--------|-----------|

|                      |        |
|----------------------|--------|
| Model                | Prefix |
| <b>543 15" - 325</b> | 01     |
|                      |        |
|                      |        |

|                  |
|------------------|
| Product number   |
| <b>953900435</b> |
|                  |
|                  |

| pos | P/N McC     | P/N ELX   | Qty | DESCRIPTION             |
|-----|-------------|-----------|-----|-------------------------|
| 89  | • 505303735 | 505303735 | 1   | starter pulley          |
| 90  | • 229791    | 538229791 | 1   | screw                   |
| 91  | • 227259    | 538227259 | 1   | washer                  |
| 92  | • 242744    | 538242744 | 1   | baffle fan              |
| 93  | 503200220   | 503200220 | 4   | screw                   |
| 94  | 503200230   | 503200230 | 1   | screw                   |
| 95  | 503200250   | 503200250 | 1   | screw                   |
| 96  | 503564901   | 503564901 | 1   | a/v absorber            |
| 97  | 505267886   | 505267886 | 1   | spacer                  |
| 98  | 503538401   | 503538401 | 1   | rod throttle            |
| 99  | 503126201   | 503126201 | 1   | r.h. Handle             |
| 100 | 503495604   | 503495604 | 1   | safety trigger          |
| 101 | 503406904   | 503406904 | 1   | latch                   |
| 102 | 503202516   | 503202516 | 1   | screw                   |
| 103 | 503126502   | 503126502 | 1   | half handle right       |
| 104 | 503202516   | 503202516 | 1   | screw                   |
| 105 | 732211401   | 732211401 | 1   | nut                     |
| 106 | 503230011   | 503230011 | 1   | washer                  |
| 107 | 503486102   | 503486102 | 1   | shock absorber          |
| 108 | 503230011   | 503230011 | 1   | washer                  |
| 109 | 229208      | 538229208 | 1   | nut                     |
| 110 | 503119001   | 503119001 | 1   | rubber                  |
| 111 | 503230011   | 503230011 | 1   | washer                  |
| 112 | 503226501   | 503226501 | 1   | nut                     |
| 113 | 503119201   | 503119201 | 1   | safety strip            |
| 114 | 503230035   | 503230035 | 1   | washer                  |
| 115 | 505279537   | 505279537 | 1   | plastic tube            |
| 116 | 505279536   | 505279536 | 1   | spring                  |
| 117 | 503200220   | 503200220 | 1   | screw                   |
| 118 | 505279211   | 505279211 | 1   | spring tension adjuster |
| 119 | 503200240   | 503200240 | 1   | screw                   |
| 120 | 503127301   | 503127301 | 1   | arm                     |
| 121 | 503127404   | 503127404 | 1   | front handle            |

A= ALTA ROTAZIONE  
B=MEDIA ROTAZIONE  
C=BASSA ROTAZIONE

A=HIGH MOVING  
B=MEDIUM MOVING  
C=SLOW MOVING

A=HAUTE DEMANDE  
B=MOYENNE DEMANDE  
C=BASSE DEMANDE

A=GROßE NACHFRAGE  
B=MITTELMAßIGE  
C=WENIGE NACHFRAGE

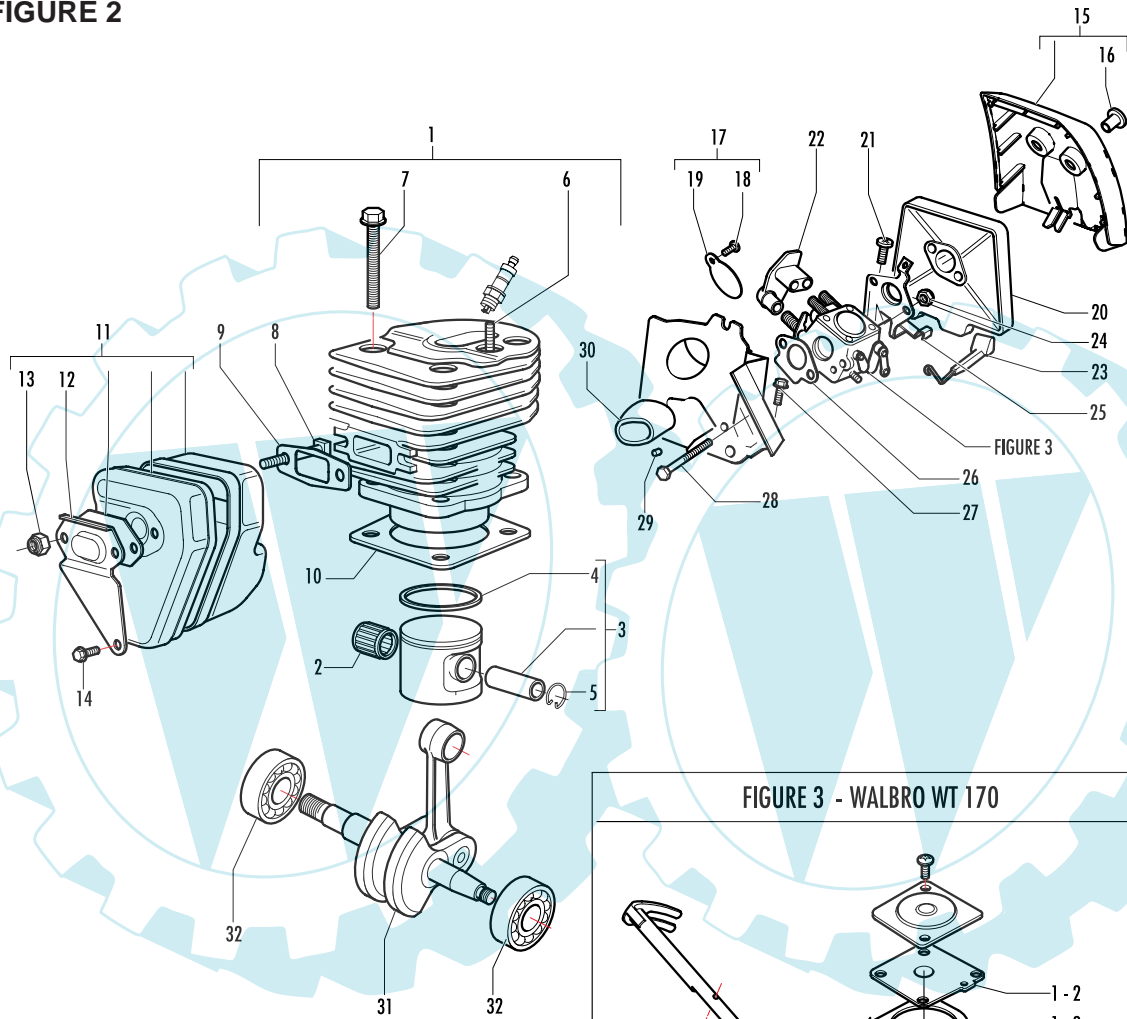
|       |                |
|-------|----------------|
| brand | <b>PARTNER</b> |
|-------|----------------|

|      |        |           |
|------|--------|-----------|
| date | JUN/03 | SHEET 4/5 |
|------|--------|-----------|

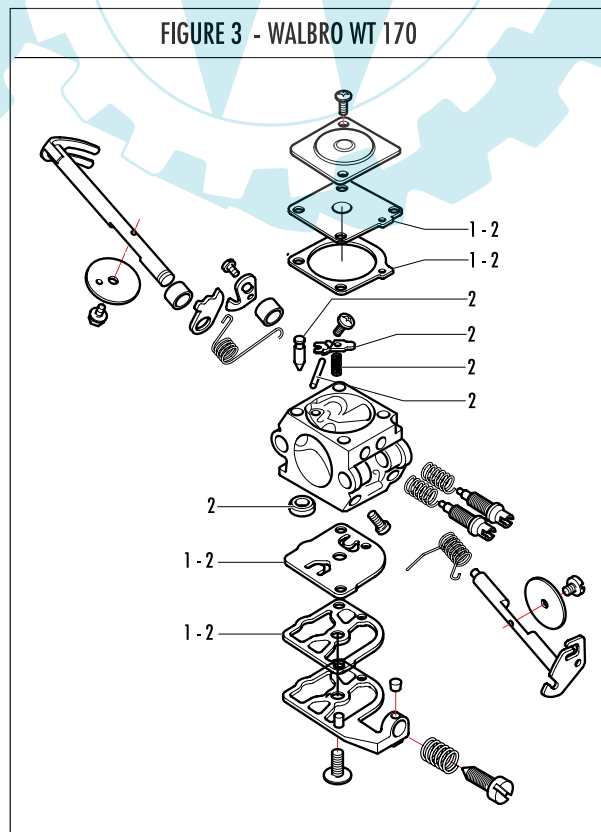
|                      |        |
|----------------------|--------|
| Model                | Prefix |
| <b>543 15" - 325</b> | 01     |
|                      |        |
|                      |        |

|                  |
|------------------|
| Product number   |
| <b>953900435</b> |
|                  |
|                  |

**FIGURE 2**



**FIGURE 3 - WALBRO WT 170**



|       |                |
|-------|----------------|
| brand | <b>PARTNER</b> |
|-------|----------------|

|      |        |           |
|------|--------|-----------|
| date | JUN/03 | SHEET 5/5 |
|------|--------|-----------|

|                      |        |
|----------------------|--------|
| Model                | Prefix |
| <b>543 15" - 325</b> | 01     |
|                      |        |
|                      |        |

|                  |
|------------------|
| Product number   |
| <b>953900435</b> |
|                  |
|                  |

**FIGURE 2**

| pos | P/N McC     | P/N ELX   | Qty | DESCRIPTION            |
|-----|-------------|-----------|-----|------------------------|
| 1   | 503609172   | 503609172 | 1   | cylinder / piston kit  |
| 2   | • 501451601 | 501451601 | 1   | needle bearing         |
| 3   | 503608171   | 503608171 | 1   | piston kit             |
| 4   | • 503289014 | 503289014 | 1   | piston ring            |
| 5   | • 737441000 | 737441000 | 1   | retaining ring         |
| 6   | 503208006   | 503208006 | 1   | stud bolt              |
| 7   | 503200220   | 503200220 | 1   | screw                  |
| 8   | 503218201   | 503218201 | 1   | screw                  |
| 9   | 503102303   | 503102303 | 1   | gasket                 |
| 10  | 503162103   | 503162103 | 1   | gasket                 |
| 11  | 503125601   | 503125601 | 1   | muffler                |
| 12  | • 503127501 | 503127501 | 1   | muffler support        |
| 13  | 229208      | 538229208 | 1   | M5 nut                 |
| 14  | • 503200212 | 503200212 | 1   | screw                  |
| 15  | 242675      | 538242675 | 1   | air filter cover ass'y |
| 16  | • 503227001 | 503227001 | 1   | slotted barrel M5      |
| 17  | 503150801   | 503150801 | 1   | heat shield            |
| 18  | • 505269314 | 505269314 | 1   | valve gate             |
| 19  | • 503212713 | 503212713 | 1   | screw                  |
| 20  | 503507401   | 503507401 | 1   | air filter             |
| 21  | 503202512   | 503202512 | 1   | screw                  |
| 22  | 505279203   | 505279203 | 1   | screw driver guide     |
| 23  | 506034301   | 506034301 | 1   | choke control lever    |
| 24  | 229208      | 538229208 | 1   | M5 nut                 |
| 25  | 503507101   | 503507101 | 1   | air filter flange      |
| 26  | 503490701   | 503490701 | 1   | gasket                 |
| 27  | 503200220   | 503200220 | 1   | screw                  |
| 28  | 725234150   | 725234150 | 1   | screw                  |
| 29  | 505310751   | 505310751 | 1   | rubber                 |
| 30  | 503161602   | 503161602 | 1   | induction pipe         |
| 31  | 503573805   | 503573805 | 1   | crankshaft ass'y       |
| 32  | 738220225   | 738220225 | 1   | bearing                |

**FIGURE 3**

**WALBRO WT 170**

| A |   | P/N McC   | P/N ELX   | Qty | DESCRIPTION   |
|---|---|-----------|-----------|-----|---------------|
| - |   | 503281504 | 503281504 | 1   | carb.         |
| 1 | • | 229191    | 538229191 | 1   | Set of gasket |
| 2 | • | 247260    | 538247260 | 1   | major kit     |

A= ALTA ROTAZIONE  
B=MEDIA ROTAZIONE  
C=BASSA ROTAZIONE

A=HIGH MOVING  
B=MEDIUM MOVING  
C=SLOW MOVING

A=HAUTE DEMANDE  
B=MOYENNE DEMANDE  
C=BASSE DEMANDE

A=GROSSE NACHFRAGE  
B=MITTELMAEßIGE  
C=WENIGE NACHFRAGE